

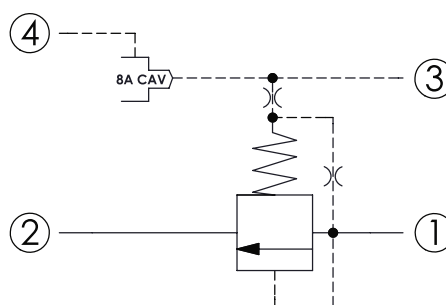
CRV-21A - Relief valve

Ventable, pilot operated, balanced piston with external drain with integral 8A control cavity

1 Available versions

Ordering example:

CRV-21A	-40	-D	-8
Type	Operation	Spring	Cavity



- 1 Inlet
- 2 Outlet
- 3 Vent
- 4 Drain

Operation

Coding	Description
40	Standard type

Spring

Coding	Minimum control pressure (bar)	Minimum control pressure (psi)
D	1.7	25
W	7	100

i INFORMATION

- W spring is suit for higher pressure drop application.

Cavity

Coding	Cavity
8	T-8A

i INFORMATION

- Applications: please refer to CRPA-8A-2D...-74, CPRB-8A-2D...

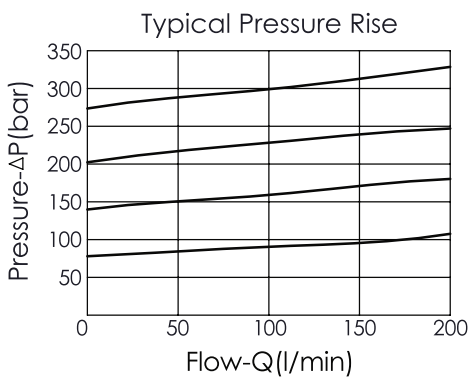
2 Technical data

Operating pressure p_{max}	350 bar
Flow rate Q_{max}	60 l/min
Installation torque	40 - 50 Nm
Cavity	T-21A
Weight	0.14 kg

i INFORMATION

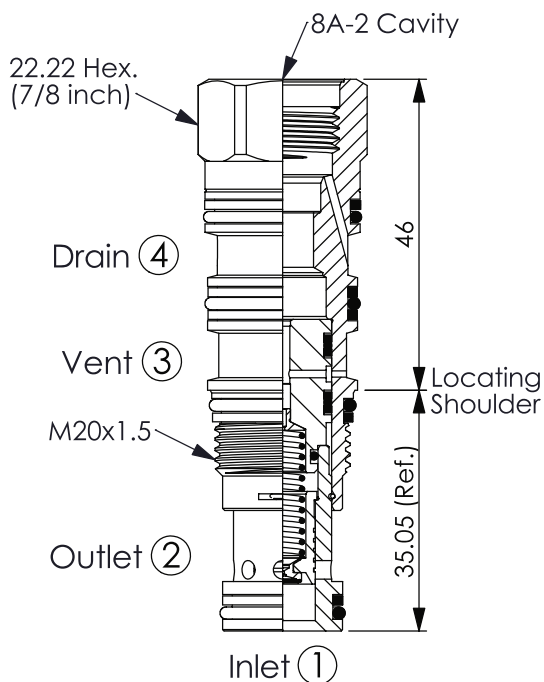
- Response time-typical (10 ms)
- Maximum leakage approximately (30 cm³/min/70 bar)
- Will accept maximum pressure at port 2 but it is necessary to install double back-up rings to valve for cross port relief circuit application.
- Leakage of spool should be concerned.

Characteristic lines



3 Dimensions

All dimensions in mm, subject to change.



4 Other information

see [Technical information HAWE cartridge valves: D 8219](#)

see [Recommendation for hydraulic fluid: D 5488/1](#)

